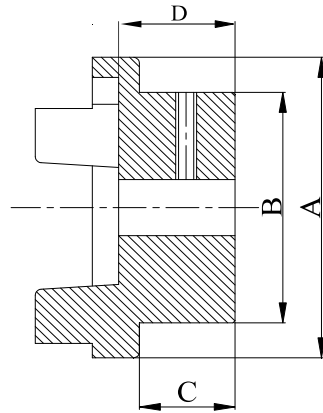
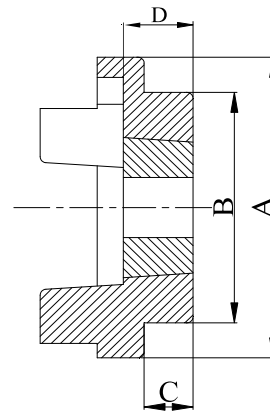


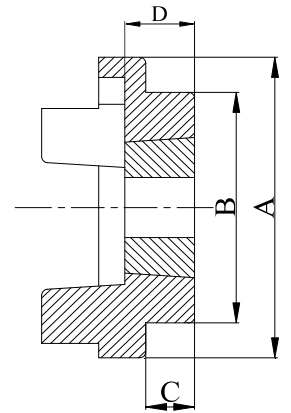
HRC联轴器
HRC Coupling



Type B



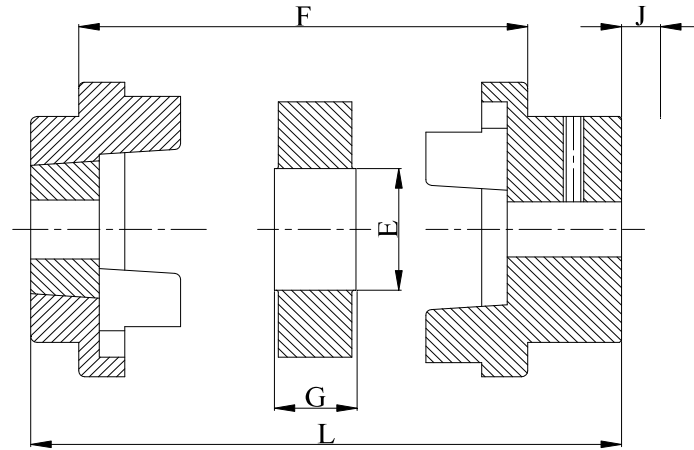
Type F



Type H

型号 Description	类型 Type	锥孔型号 Bush NO.	内孔尺寸 Bore Size	A (mm)	B (mm)	C (mm)	D (mm)
HRC 070B	B	H7	10-32	69	60	20	23.5
HRC 070F	F	1008	10-25	69	60	20	23.5
HRC 070H	H	1008	10-25	69	60	20	23.5
HRC 090B	B	H7	10-42	85	70	26	30
HRC 090F	F	1108	10-28	85	70	19.5	23.5
HRC 090H	H	1108	10-28	85	70	19.5	23.5
HRC 110B	B	H7	10-55	112	100	37	45
HRC 110F	F	1610	14-42	112	100	18.5	26.5
HRC 110H	H	1610	14-42	112	100	18.5	26.5
HRC 130B	B	H7	20-60	130	105	39	47.5
HRC 130F	F	1610	14-42	130	105	18	26.5
HRC 130H	H	1610	14-42	130	105	18	26.5
HRC 150B	B	H7	28-70	150	115	46	56
HRC 150F	F	2012	14-50	150	115	23.5	33.5
HRC 150H	H	2012	14-50	150	115	23.5	33.5
HRC 180B	B	H7	28-80	180	125	58	70
HRC 180F	F	2517	16-65	180	125	34.5	46.5
HRC 180H	H	2517	16-65	180	125	34.5	46.5
HRC 230B	B	H7	45-100	225	155	77	90
HRC 230F	F	3020	25-75	225	155	39.5	52.5
HRC 230H	H	3020	25-75	225	155	39.5	52.5
HRC 280B	B	H7	55-115	275	206	90	105.5
HRC 280F	F	3525	35-100	275	206	51	66.5
HRC 280H	H	3525	35-100	275	206	51	66.5

HRC联轴器
HRC Coupling



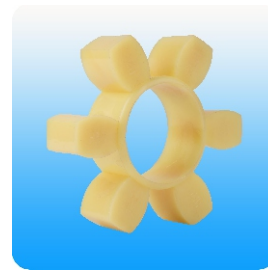
型号 Description	E (mm)	F (mm)	G (mm)	J (mm)	装配长度 Assemble Length(mm)			额定扭矩 (NM) Normal Torque (NM)	最大扭矩 (NM) Max Torque (NM)
					FF,FH,HH	FB,HB	BB		
HRC 070	31	25	18	29	65	65	65	31	72
HRC 090	32	30.5	22.5	29	69.5	76	82.5	80	180
HRC 110	45	45	29	38	82	100.5	119	160	360
HRC 130	50	53	36	38	89	110	131	315	720
HRC 150	62	60	40	42	107	129.5	152	600	1500
HRC 180	77	73	49	48	142	165.5	189	950	2350
HRC 230	99	85.5	59.5	55	164.5	202	239.5	2000	5000
HRC 280	119	105.5	74.5	67	207.5	246.5	285.5	3150	7200

$$\text{Torque/扭矩 (NM)} = 9550 \times \frac{\text{Design Power/设计功率 (KW)}}{\text{Motor Speed/电机转速 (rpm)}}$$



Material:NBR
材料:丁晴橡胶

Temperature°C:40~100°C
温度范围°C:-40~100°C



Material:Urethane
材料:聚氨酯

Temperature°C:-35~70°C
温度范围°C:-35~70°C